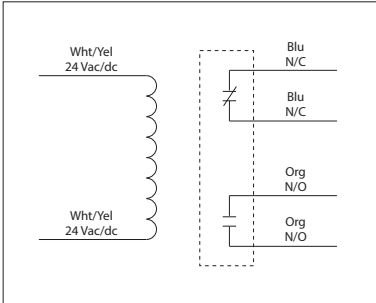


**30 AMP POWER CONTROL RELAY**

**RIB24Z**

Enclosed Relay 30 Amp SPST-N/O + SPST-N/C  
with 24 Vac/dc Coil



RELAYS

**SPECIFICATIONS**

**# Relays & Contact Type:** One (1) SPST-N/O + SPST-N/C  
Continuous Duty Coil

**Expected Relay Life:** 10 million cycles minimum mechanical

**Operating Temperature:** -30 to 140° F

**Humidity Range:** 5 to 95% (noncondensing)

**Operate Time:** 18ms

**Relay Status:** LED On = Activated

**Dimensions:** 2.30" x 3.20" x 1.80" with .50" NPT Nipple

**Wires:** 16", 600V Rated

**Approvals:** UL Listed, UL916, UL864, C-UL California  
State Fire Marshal

**Housing Rating:** UL Accepted for Use in Plenum, NEMA 1

**Gold Flash:** Yes

**Override Switch:** No

**Contact Ratings:**

30 Amp Resistive @ 300 Vac

25 Amp Resistive @ 28 Vdc

20 Amp Ballast @ 277-480 Vac

*Not rated for Electronic Ballast*

15 Amp Resistive @ 600 Vac

770 VA Pilot Duty @ 120 Vac

1158 VA Pilot Duty @ 240 Vac

1109 VA Pilot Duty @ 277 Vac

1640 VA Pilot Duty @ 480 Vac

Heavy Pilot Duty @ 600 Vac

3 HP @ 480-600 Vac

2 HP @ 240-277 Vac

1 HP @ 120 Vac

**Coil Current:**

110 mA @ 20 Vac

138 mA @ 24 Vac

55 mA @ 20 Vdc

55 mA @ 24 Vdc

77 mA @ 30 Vdc

**Coil Voltage Input:**

24 Vac/dc ; 50-60 Hz

Drop Out = 3 Vac / 3.8 Vdc

Pull In = 20 Vac / 20 Vdc